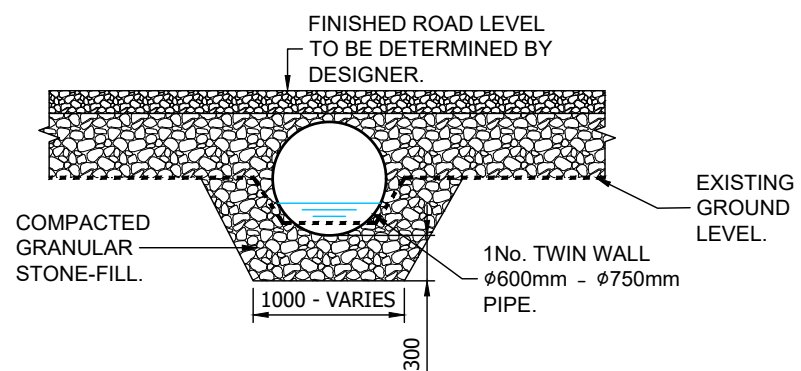


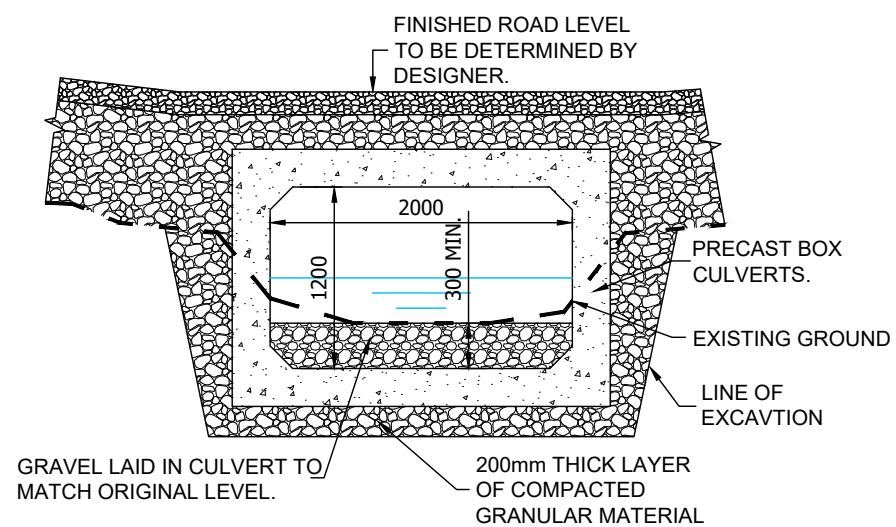
TYPE 1 CULVERT

SCALE 1:50



TYPE 2 CULVERT

SCALE 1:50



TYPE 3 CULVERT

SCALE 1:50

NOTE:

CULVERTS ARE TO BE OF ADEQUATE SIZE TO CARRY PEAK FLOWS CORRESPONDING TO A 1 IN 100 YEAR STORM EVENT, WITH A MINIMUM DIAMETER OF 900mm. THEY SHOULD BE INSTALLED TO CONFORM WHEREVER POSSIBLE TO THE NATURAL SLOPE AND ALIGNMENT OF THE STREAM OR DRAINAGE LINE. CULVERTS GREATER THAN 1m DIAMETER SHOULD BE BURIED TO A MINIMUM DEPTH OF 300mm BELOW THE STREAMBED AND THE ORIGINAL BED MATERIAL PLACED IN THE BOTTOM OF THE CULVERT.

1. FORMATION LEVEL TO BE DETERMINED BY THE CIVIL WORKS DESIGNER. REFER TO SITE INVESTIGATIONS REPORT.

2. SUB BASE MATERIAL TO CONFORM TO THE FOLLOWING:

IMPORTED MATERIAL
TO CONFORM TO TYPE 6F1 IN ACCORDANCE WITH TABLE 6/2 OF THE NRA SPECIFICATION FOR ROAD WORKS.

SITE WON MATERIAL
ROCK WON IN EXCAVATION OF TURBINES MUST BE CRUSHED AND GRADED ON SITE. THE MAXIMUM SIZE OF AGGREGATE TO BE 125mm. THE AGGREGATE GRADING TO BE AGREED WITH THE ENGINEER.

3. SURFACE LAYER TO BE CLAUSE 804. THIS LAYER MAY BE APPLIED IMMEDIATELY BEFORE TURBINE DELIVERY.

NOTES:

- 1 FIGURED DIMENSIONS ONLY TO BE TAKEN FROM THIS DRAWING.
- 2 ALL DRAWINGS TO BE CHECKED BY THE CONTRACTOR ON SITE.
- 3 ENGINEER TO BE INFORMED OF ANY DISCREPANCIES BEFORE ANY WORK COMMENCES.
- 4 THIS DRAWING TO BE READ IN CONJUNCTION WITH ALL OTHER RELEVANT DRAWINGS AND SPECIFICATIONS.

THIS DRAWING IS NOT TO BE USED AS A CONSTRUCTION DRAWING.

rev.	modifications	D	C	A

P:\jod-jobs\6289 Tirawley WF\700 Drawings\703 Planning\200 - Drainage\6289-PL-203.dwg

Client	CONSTANT ENERGY LTD			
Project	TIRAWLEY WIND FARM CO. MAYO			
Stage	PLANNING			
Title	DRAINAGE DETAILS SHEET 4 OF 4			
Scales	AS NOTED @ A3			
Surveyed	Prepared	Checked	Approved	Date
JOD	JB	MG / DT	DK	APRIL 2026



© COPYRIGHT OF
JENNINGS O'DONOVAN AND PARTNERS LIMITED
FINISKLIN Tel (+353) 719 161 416
SLIGO Email. info@jodireland.com
IRELAND www.jodireland.com

@JOD_Sligo LinkedIn icon Jennings O'Donovan & Partners Facebook icon Jennings O'Donovan

Job No.	Drawing no.	Revision
6289	PL-203	0